

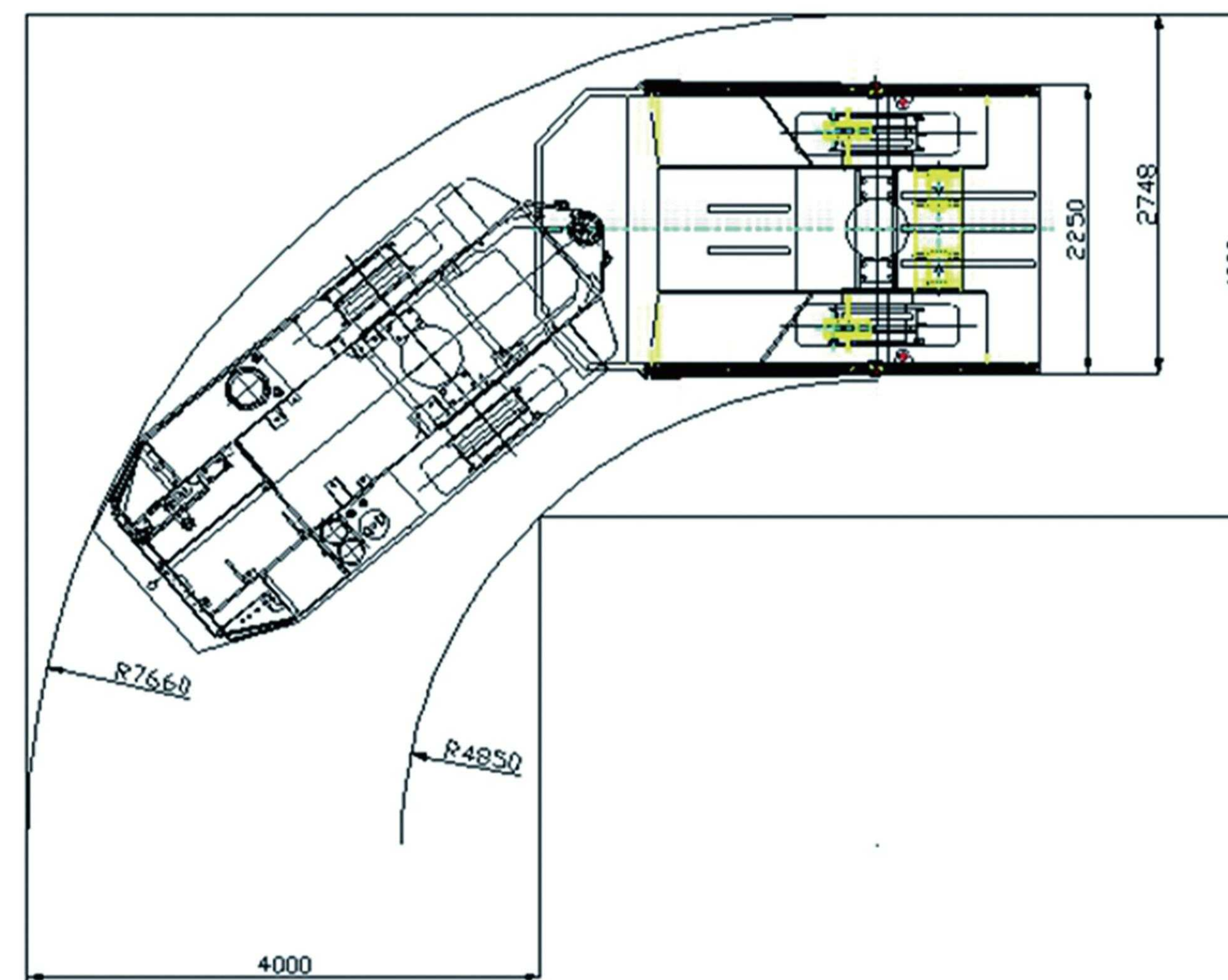
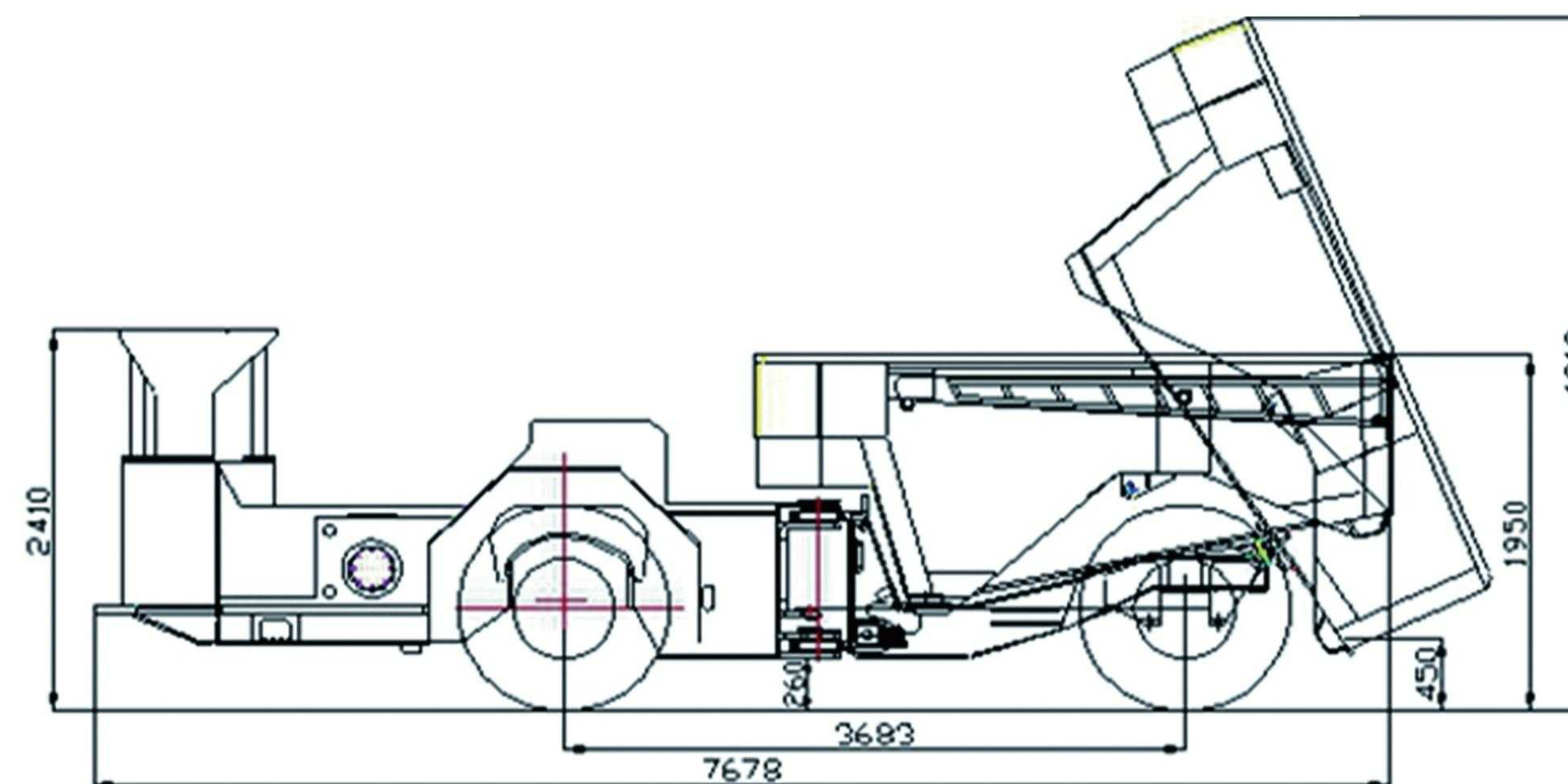
# FOCOR FUK-15 Underground Truck



## Main Features

- Main parts are imported top brand, like Deutz Engine, DANA torque converter, transmission, Parker pump and valves etc.;
- Braking System consisted of Working brake and Stop brake, with Fully enclosed and Multi-disc wet hydraulic brake, Stop brake with spring brake;
- Tailor made size and optional parts for customers to choose: remote control, Centralized lubrication, rear view camera etc.

## General Dimension





# FUK-15 Underground Truck



## Technical Parameters

### Diesel Engine

- Brand ... .. Germany DEUTZ
- Model ... .. BF6M1013
- Type ... .. Water cooling
- Rated Power ... .. 165KW/2300rpm
- Remarks ... .. Original Germany Deutz Brand

### Torque Converter

- Brand ... .. American DANA
- Model ... .. C270
- Type ... .. Single stage two components with hydraulic pump drive.

### Shift Transmission

- Brand ... .. American DANA
- Model ... .. R32000
- Shift ... .. power shift (4 shifts) forward+backward with Emergency brake

### Hydraulic Pump

- Brand ... .. Parker
- Steering pump ... .. Parker
- Brake pump ... .. Rexroth
- Slippage pump ... .. DANA

### Hydraulic Valve

- Work valve ... .. Parker
- Steering valve ... .. Parker
- Brake valve ... .. Wabco
- Prefill valve ... .. Mico
- Acceleration valve ... .. WILLIAMS

### Axle

- Brand ... .. DANA
- Model ... .. 16D
- Type ... .. Rigid planetary transmission axle with NON-SPIN & anti-slip differential

### Braking System

- Type ... .. Working brake, Stop brake
- Description ... .. Fully enclosed and Multi-disc wet hydraulic brake , Stop with spring brake

### Driver Cabin

- Reinforced with 6mm steel panel ... .. YES
- Side-seat layout with good vision ... .. YES
- Closed Cabin with air conditioner ... .. for optional

### Bucket

- Material ... .. Manganese steel
- Ejector Bucket ... .. For optional

### Electric System

- Working voltage ... .. 24V (consisted of two 12v batteries)

### General Parameter

- Rated capacity ... .. 15000kg
- Length ... .. 7678mm
- Width ... .. 2250mm
- Height(cabin) ... .. 2410mm
- Bucket volume ... .. 7.5 m<sup>3</sup>
- Discharging height ... .. 4212mm
- Bucket lifting time ... .. 9.1 S
- Bucket down time ... .. 8.2 S
- Wheelbase ... .. 3710mm
- Min. Ground clearance ... .. 400mm
- Steering angle ... .. left/right 40 °
- Turning angle ... .. ± 7 °
- Min. Turning radius ... .. inner 4850mm
- Min. Turning radius ... .. Outer 7660mm

### Loader Weight and Load Capacity

- Truck weight ... .. 15800 kg
- Loading weight ... .. 30800 kg

### Traveling Performance

- 1 shift forward/backward ... .. 5 km/h
- 2 shift forward/backward ... .. 11 km/h
- 3 shift forward/backward ... .. 17.1 km/h
- 4 shift forward/backward ... .. 23.5 km/h
- Grade ability ... .. 14% (load)
- Max. Traction ... .. 160 KN
- Tyre model ... .. 17.50 — 25

### Hydraulic System Pressure

- Working system, rated pressure ... .. 14 MPa
- Steering system, rated pressure ... .. 14 MPa
- Brake system, rated pressure ... .. 12.5 MPa

### Tyre

- Model ... .. 17.00-25

### Hydraulic System

- Type ... .. Working system, steering system braking system, Oil filling and acceleration system

### Hydraulic Cylinder

- Acceleration cylinder ... .. WILLIAMS

### Lubrication System

- Manual lubrication ... .. YES
- Centralized lubrication ... .. For optional

### Fire System

- Manual Fire extinguisher ... .. YES
- Centralized Fire extinguisher ... .. For optional

### Control system

- Manual control ... .. YES