

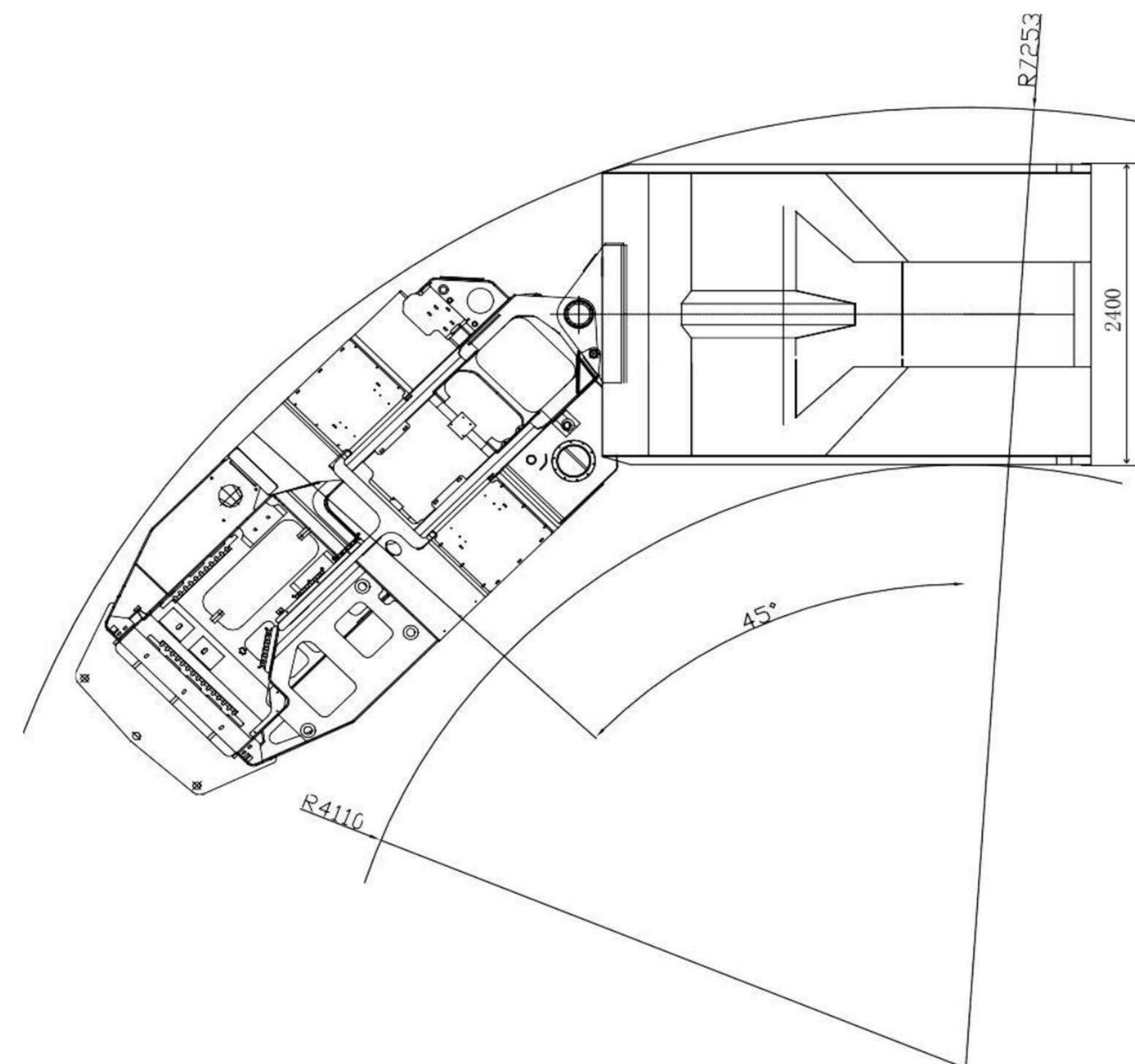
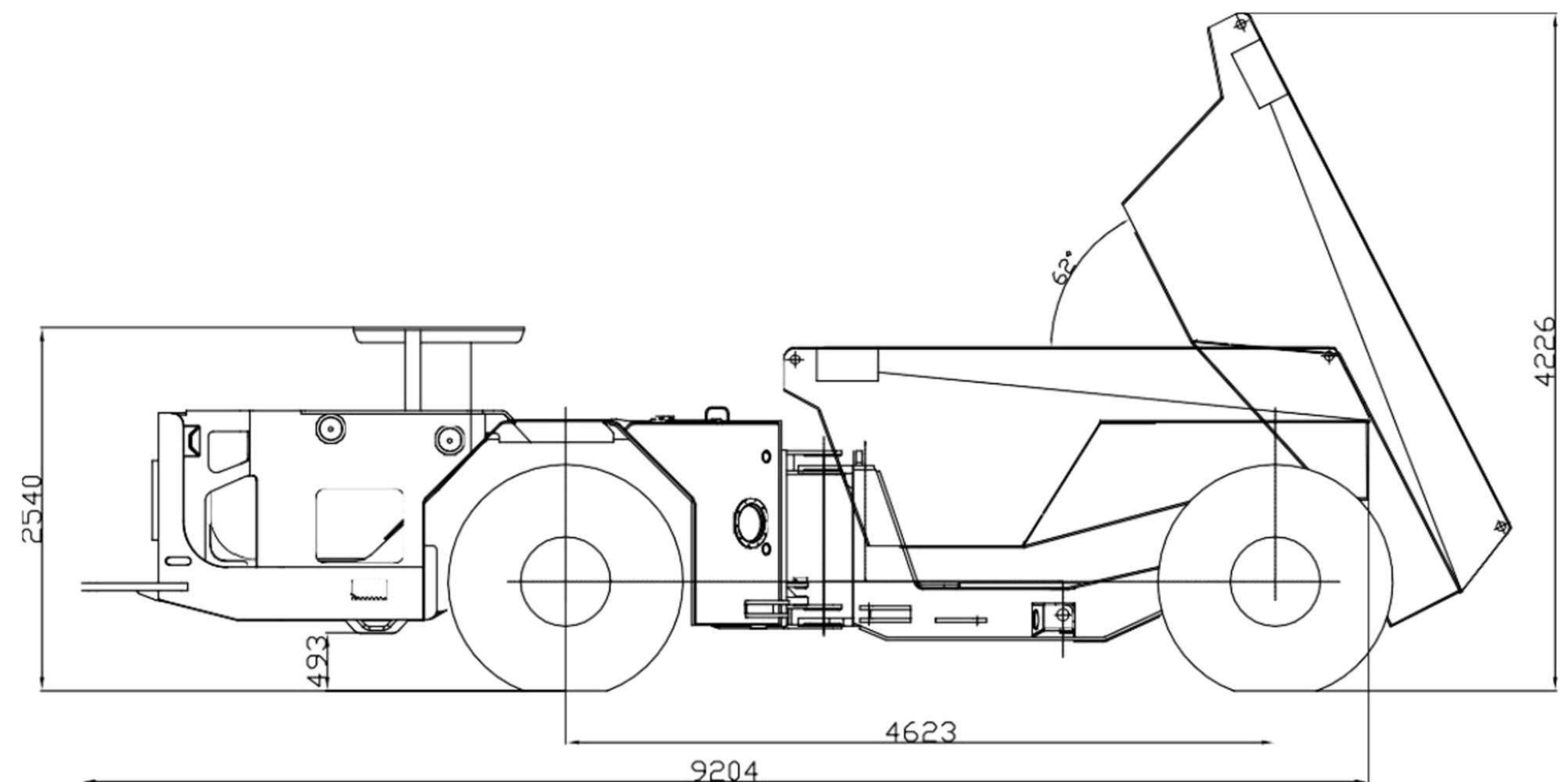
# FOCOR FUK-20 Underground Truck



## Main Features

- Main parts are imported top brand, like Deutz Engine, DANA torque converter, transmission, Parker pump and valves etc.;
- Braking System consisted of Working brake and Stop brake, with Fully enclosed and Multi-disc wet hydraulic brake, Stop brake with spring brake;
- Tailor made size and optional parts for customers to choose: remote control, Centralized lubrication, rear view camera etc.

## General Dimension





# FUK-20 Underground Truck



## Technical Parameters

### Diesel Engine

- Brand ... Germany DEUTZ
- Model ... F10L413FW
- Type ... Water cooling
- Rated Power ... 170KW/2300rpm
- Remarks ... Original Germany Deutz Brand

### Torque Converter

- Brand ... American DANA
- Model ... C500
- Type ... Single stage two components with hydraulic pump drive.

### Shift Transmission

- Brand ... American DANA
- Model ... R36000
- Shift ... power shift (4 shifts) forward+backward with Emergency brake

### Hydraulic Pump

- Brand ... Parker
- Steering pump ... Parker
- Brake pump ... Rexroth
- Slippage pump ... DANA

### Hydraulic Valve

- Work valve ... Parker
- Steering valve ... Parker
- Brake valve ... Wabco
- Prefill valve ... Mico
- Acceleration valve ... WILLIAMS

### Axle

- Brand ... DANA
- Model ... 19D
- Type ... Rigid planetary transmission axle with NON-SPIN & anti-slip differential

### Braking System

- Type ... Working brake, Stop brake
- Description ... Fully enclosed and Multi-disc wet hydraulic brake, Stop with spring brake

### Driver Cabin

- Reinforced with 6mm steel panel ... YES
- Side-seat layout with good vision ... YES
- Closed Cabin with air conditioner ... YES

### Bucket

- Material ... Manganese steel
- Ejector Bucket ... For optional

### Electric System

- Working voltage ... 24V (consisted of two 12v batteries)
- Illumination ... Front lamp 2pcs, 18W,24V
- Illumination ... Rear lamp 2 pcs, 18W,24V

### General Parameter

- Rated capacity ... 20000kg
- Length ... 9204mm
- Width ... 2400mm
- Height(cabin) ... 2530mm
- Bucket volume ... 10 m<sup>3</sup>
- Discharging height ... 4226mm
- Discharging angle ... 62°
- Bucket lifting time ... 10 S
- Bucket down time ... 8 S
- Wheelbase ... 4623mm
- Min. Ground clearance ... 493mm
- Steering angle ... left/right 45°
- Turning angle ... ± 10°
- Min. Turning radius ... inner 4110mm
- Min. Turning radius ... Outer 7235mm

### Loader Weight and Load Capacity

- Truck weight ... 20400 kg
- Loading weight ... 40400 kg

### Traveling Performance

- 1 shift forward/backward ... 5.8 km/h
- 2 shift forward/backward ... 11.8 km/h
- 3 shift forward/backward ... 18.2 km/h
- 4 shift forward/backward ... 24.2 km/h
- Grade ability ... 12% (load)
- Max. Traction ... 240 KN

### Hydraulic System Pressure

- Working system, rated pressure ... 14 MPa
- Steering system, rated pressure ... 14 MPa
- Brake system, rated pressure ... 12.5 MPa

### Tyre

- Model ... 17.00-25

### Oil Tanks

- Diesel oil tank ... 45 L
- Hydraulic oil tank ... 223 L

### Hydraulic System

- Type ... Working system, steering system braking system, Oil filling and acceleration system

### Hydraulic Cylinder

- Acceleration cylinder ... WILLIAMS

### Lubrication System

- Manual lubrication ... YES
- Centralized lubrication ... For optional

### Fire System

- Manual Fire extinguisher ... YES
- Centralized Fire extinguisher ... For optional

### Control system

- Manual control ... YES