



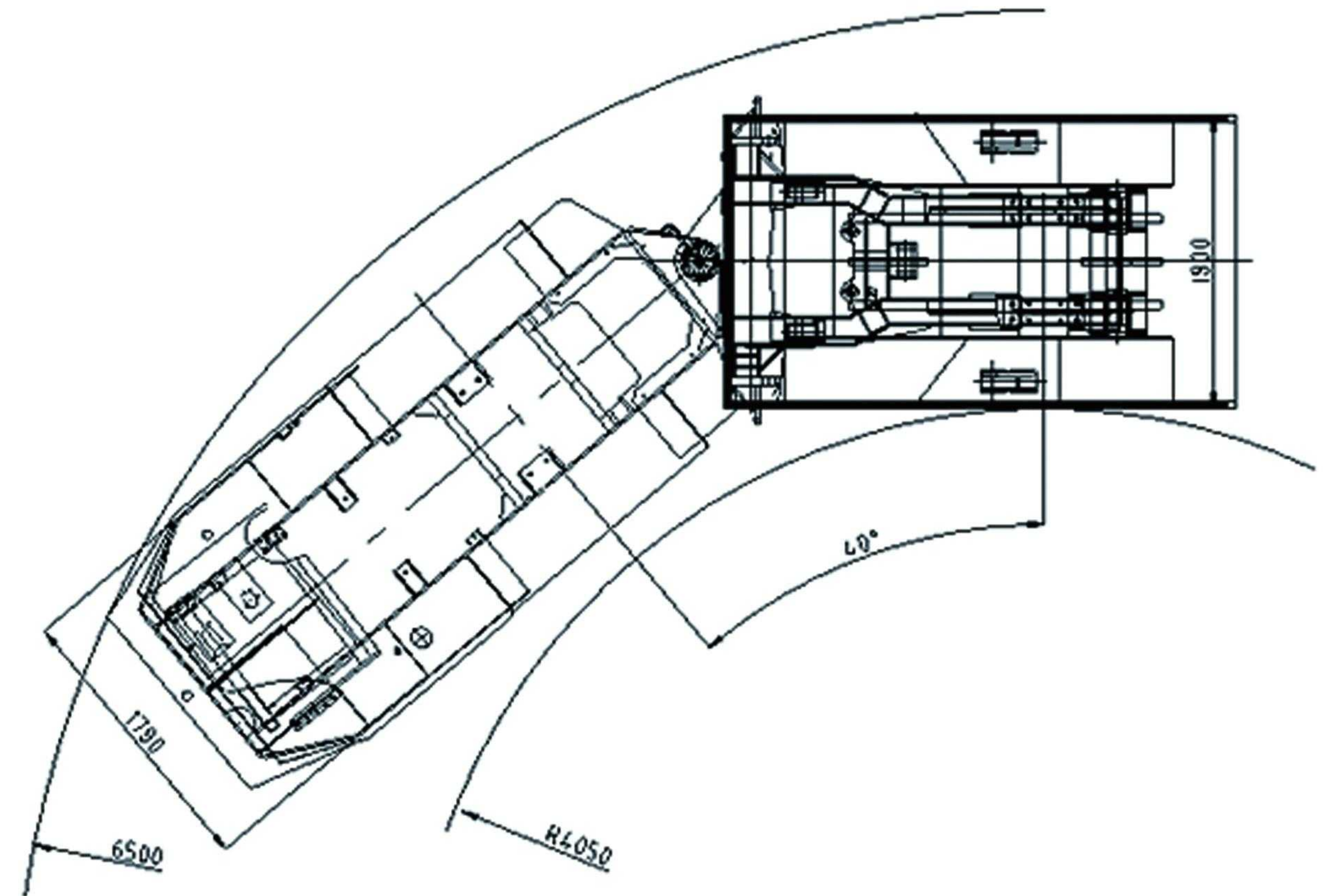
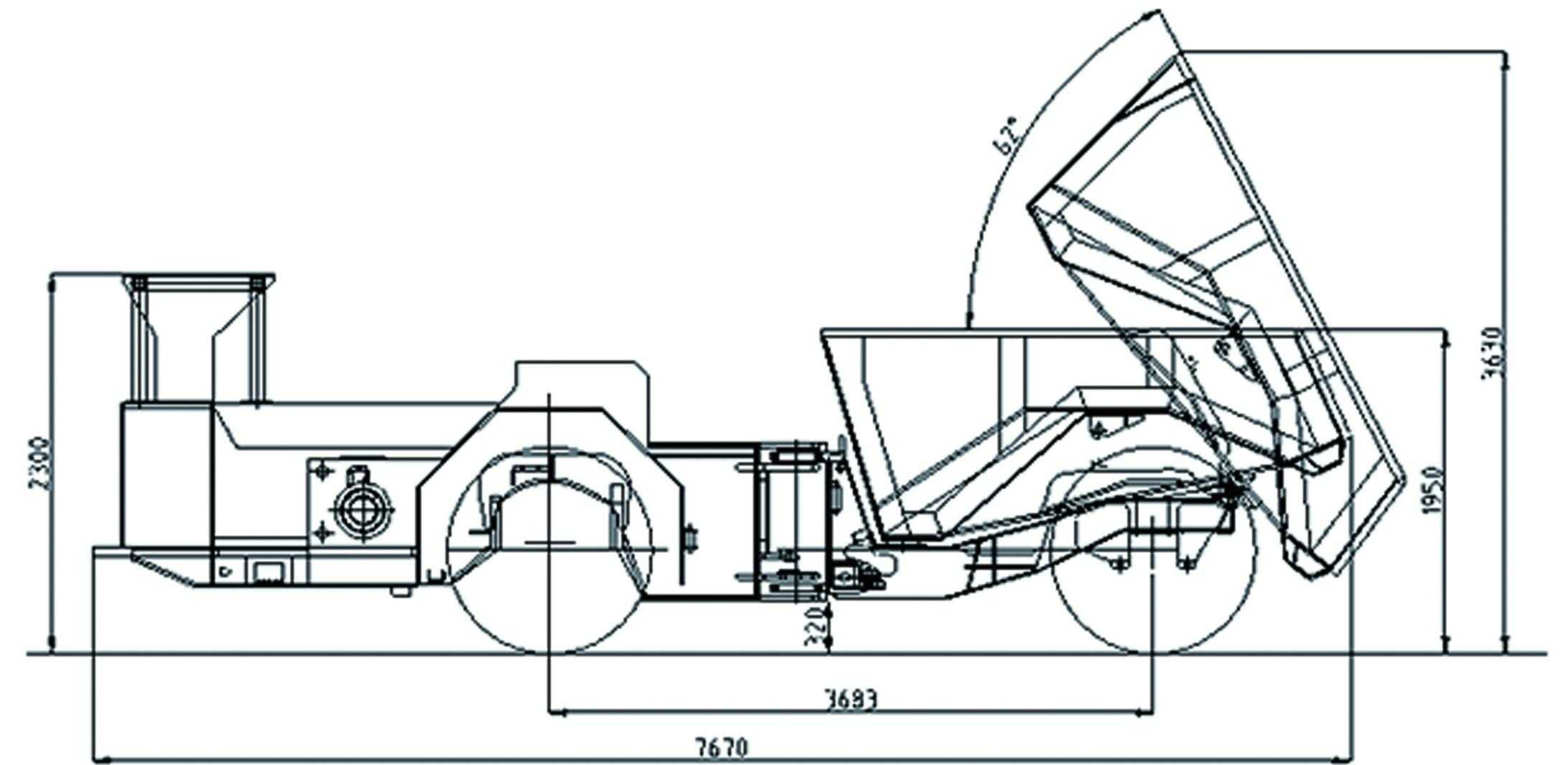
FOCOR FUK-10 Underground Truck



Main Features

- Main parts are imported top brand, like Deutz Engine, DANA torque converter, transmission, Parker pump and valves etc.;
- Braking System consisted of Working brake and Stop brake, with Fully enclosed and Multi-disc wet hydraulic brake, Stop brake with spring brake;
- Tailor made size and optional parts for customers to choose: remote control, Centralized lubrication, rear view camera etc.

General Dimension



FUK-10 Underground Truck



Technical Parameters

Diesel Engine

- Brand ... Germany DEUTZ
- Model ... BF4M1013EC/115KW
- Type ... Water cooling
- Rated Power ... 115KW/2300rpm
- Remarks ... Original Germany Deutz Brand

Torque Converter

- Brand ... American DANA
- Model ... C270
- Type ... Single stage two components with hydraulic pump drive.

Shift Transmission

- Brand ... American DANA
- Model ... R32000
- Shift ... power shift (3 shifts) forward+backward with Emergency brake

Hydraulic Pump

- Brand ... Parker
- Steering pump ... Parker
- Brake pump ... Rexroth
- Slippage pump ... DANA

Hydraulic Valve

- Work valve ... Parker
- Steering valve ... Parker
- Brake valve ... Wabco
- Prefill valve ... Mico
- Acceleration valve ... WILLIAMS

Axle

- Brand ... Qingfeng
- Model ... QY-150
- Type ... Rigid planetary transmission axle with NON-SPIN & anti-slip differential

Braking System

- Type ... Working brake, Stop brake
- Description ... Fully enclosed and Multi-disc wet hydraulic brake, Stop with spring brake

Driver Cabin

- Reinforced with 6mm steel panel ... YES
- Side-seat layout with good vision ... YES
- Closed Cabin with air conditioner ... for optional

Bucket

- Material ... Manganese steel
- Ejector Bucket ... For optional

Electric System

- Working voltage ... 24V (consisted of two 12v batteries)

General Parameter

- Rated capacity ... 10000kg
- Length ... 7670mm
- Width ... 1800mm
- Height(cabin) ... 2300mm
- Bucket volume ... 5 m³
- Discharging height ... 3630mm
- Discharging angle ... 62 °
- Bucket lifting time ... 8 S
- Bucket down time ... 5 S
- Wheelbase ... 3683mm
- Min. Ground clearance ... 320mm
- Steering angle ... left/right 40 °
- Turning angle ... ± 10 °
- Min. Turning radius ... inner 4050mm
- Min. Turning radius ... Outer 6500mm

Loader Weight and Load Capacity

- Truck weight ... 14000 kg
- Loading weight ... 24000 kg

Traveling Performance

- 1 shift forward/backward ... 4.6 km/h
- 2 shift forward/backward ... 10.5 km/h
- 3 shift forward/backward ... 18 km/h
- Grade ability ... 25% (load)
- Max. Traction ... 140 KN

Hydraulic System Pressure

- Working system, rated pressure ... 14 MPa
- Steering system, rated pressure ... 14 MPa
- Brake system, rated pressure ... 12.5 MPa

Tyre

- Brand ... Xinfeiya
- Model ... 12.00-24

Hydraulic System

- Type ... Working system, steering system braking system, Oil filling and acceleration system

Hydraulic Cylinder

- Acceleration cylinder ... WILLIAMS

Lubrication System

- Manual lubrication ... YES
- Centralized lubrication ... For optional

Fire System

- Manual Fire extinguisher ... YES
- Centralized Fire extinguisher ... For optional

Control system

- Manual control ... YES