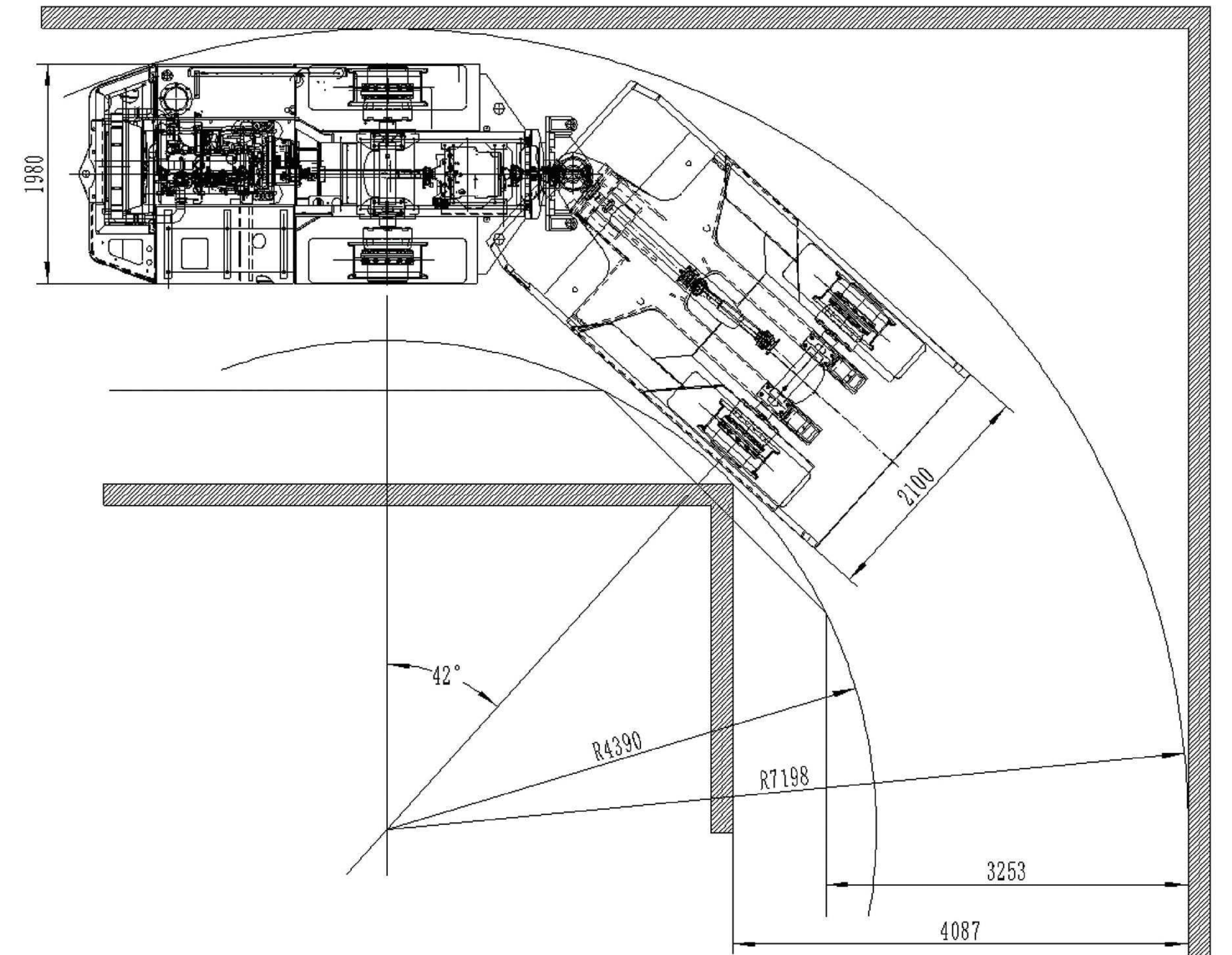
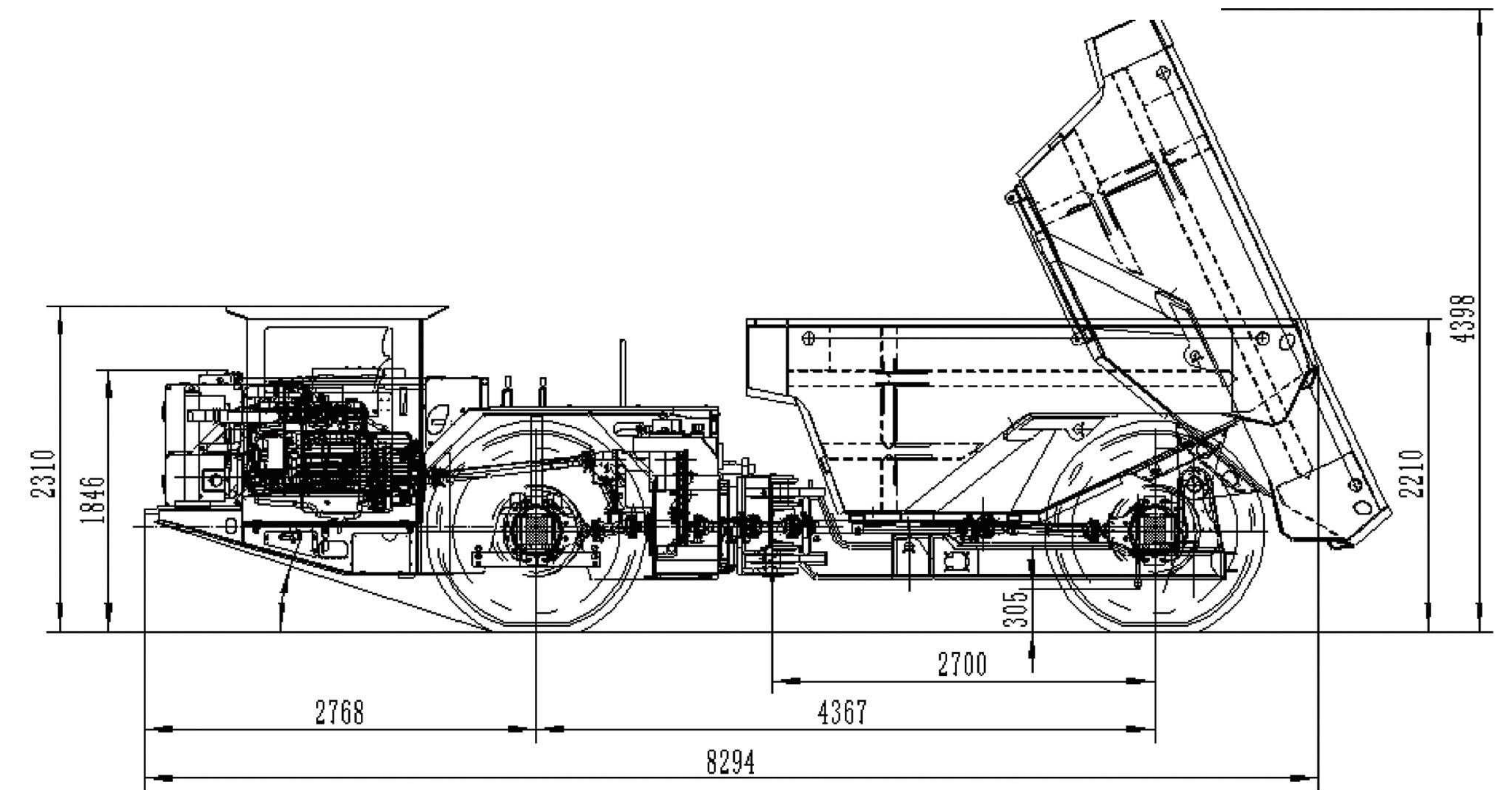




Main Features

- Main parts are imported top brand, like Deutz Engine, DANA torque converter, transmission, Parker pump and valves etc.;
- Braking System consisted of Working brake and Stop brake, with Fully enclosed and Multi-disc wet hydraulic brake, Stop brake with spring brake;
- Tailor made size and optional parts for customers to choose: remote control, Centralized lubrication, rear view camera etc.

General Dimension



FUK-18 Underground Truck



Technical Parameters

Diesel Engine

- Brand ... CUMMINS QSB6.7
- Model ... EPA Tier 3 EU Stage IIA/CHINA III
- Rated Power ... 163kW/2200rpm
- Torque ... 949Nm /1500rpm
- Optional brand ... CUMMINS QSB6.7/163KW

Torque Converter

- Brand ... American DANA
- Model ... C270
- Type ... Single stage two components with hydraulic pump drive.

Shift Transmission

- Brand ... American DANA
- Model ... R32000
- Shift ... power shift (4 shifts) forward+backward with Emergency brake

Hydraulic Pump

- Brand ... Parker
- Steering pump ... Parker
- Brake pump ... Rexroth
- Slippage pump ... DANA

Hydraulic Valve

- Work valve ... Parker
- Steering valve ... Parker
- Brake valve ... Wabco
- Prefill valve ... Mico
- Acceleration valve ... WILLIAMS

Axle

- Brand ... KESSLER
- Model ... D81
- Type ... Rigid planetary transmission axle with NON-SPIN & anti-slip differential

Braking System

- Type ... Working brake, Stop brake
- Description ... Fully enclosed and Multi-disc wet hydraulic brake, Stop with spring brake

Driver Cabin

- Reinforced with 6mm steel panel ... YES
- Side-seat layout with good vision ... YES
- Closed Cabin with air conditioner ... YES

Bucket

- Material ... Manganese steel

Electric System

- Working voltage ... 24V (consisted of two 12v batteries)

General Parameter

- Rated capacity ... 18000kg
- Length ... 8300mm
- Width ... 2100mm
- Height(cabin) ... 2310mm
- Bucket volume ... 9 m³
- Dump angle ... 65°
- Bucket lifting time ... <15 S
- Bucket down time ... <15 S
- Wheelbase ... 4367mm
- Min. Ground clearance ... 360mm
- Steering angle ... left/right 42°
- Turning angle ... ± 7°
- Min. Turning radius ... inner 4390mm
- Min. Turning radius ... Outer 7198mm

Loader Weight and Load Capacity

- Truck weight ... 15500 kg
- Loading weight ... 33500 kg

Traveling Performance

- 1 shift forward/backward ... 5.5 km/h
- 2 shift forward/backward ... 11.3 km/h
- 3 shift forward/backward ... 19.1 km/h
- 4 shift forward/backward ... 31.1 km/h
- Grade ability ... 18% (load)
- Tyre model ... 16.00-25 TT
- Tire filling pressure ... 7.0 bar

Hydraulic System Pressure

- Operating system flow rate ... 130 L/min
- Operating pressure ... 16 MPa
- Steering system flow rate ... 130 L/min
- Steering pressure ... 16 MPa

Tyre

- Model ... 16.00-25

Hydraulic System

- Type ... Working system, steering system braking system, Oil filling and acceleration system

Hydraulic Cylinder

- Acceleration cylinder ... WILLIAMS

Lubrication System

- Manual lubrication ... YES
- Centralized lubrication ... For optional

Fire System

- Manual Fire extinguisher ... YES
- Centralized Fire extinguisher ... For optional

Control system

- Manual control ... YES